

HUBER+SUHNER® DATA SHEET

Low PIM, Low Loss 10 dB Stripline Coupler, 380 - 2700 MHz

7210.17.0007



Rev.: G

Directional Coupler

Description

Broadband / Multiband 380 MHz to 2700 MHz directional coupler for use in cellular mobile networks. Supports Tetra, Tetrapol, LMR/P25, LTE, UMTS/WCDMA, TD-SCDMA, AMPS, GSM, PCS, CDMA, WiFi / WLAN 2.4 GHz.



Product Configuration

Technical Data

Electrical Data

	Band 1	Band 2	Band 3
Frequency (GHz)	0.38 - 0.5	0.5 - 2.5	2.5 - 2.7
Return Loss (dB)	20	20	17
Coupling (dB)	10	10	10
Coupling Flatness +/- (dB)	1.5	1	1
Insertion Loss (dB)	0.55	0.1	0.1
Directivity (dB)	20	20	18
Isolation (dB)	30	30	28
Max. Composite Power (W)	200	200	200
Peak Envelope Power (W)	3000	3000	3000
Intermodulation distortion (dBc) @ 2 x Carrier Power (dBm)	140 43	140 43	140 43
	Main Line In	Main Line Out	Coupled Port
Port Designation	Input	Output	10 dB
Connector Type	N	N	N
Gender	jack (female)	jack (female)	jack (female)
Char. impedance (Ω)	50		

Isolated port internally terminated

Mechanical Data

Dimensions (mm)	37.58 x 75.74 x 193.55 (Height x Width x Depth)
Weight	0.68 kg

Environmental Data

Environmental conditions	indoor/outdoor
Operation temperature ($^{\circ}\text{C}$)	-35 to 75
Storage temperature ($^{\circ}\text{C}$)	-35 to 75
Transport temperature ($^{\circ}\text{C}$)	-37 to 75
IP rating	IP 64
RoHS 2002/95/EC	compliant

Material Data

Housing Material	Aluminium
Surface treatment	passivated

HUBER+SUHNER is certified according to ISO 9001 and ISO 14001

WAIVER!

It is exclusively in written agreements that we provide our customers with warrants and representations as to the technical specifications and/or the fitness for any particular purpose. The facts and figures contained herein are carefully compiled to the best of our knowledge, but they are intended for general informational purposes only.



HUBER+SUHNER AG
RF Industrial
9100 Herisau, Switzerland
Phone +41 (0)71 353 41 11
Fax +41 (0)71 353 45 90
www.hubersuhner.com

HUBER+SUHNER – Excellence in Connectivity Solutions

HUBER+SUHNER® DATA SHEET

Low PIM, Low Loss 10 dB Stripline Coupler, 380 - 2700 MHz

7210.17.0007



Rev.: G

Related Documents

Mounting instruction

Painting instruction

Security instruction

Outline drawing1

3D-model (Step)

DPR-00171988

DOC-0000370143

HUBER+SUHNER is certified according to ISO 9001 and ISO 14001

WAIVER!

It is exclusively in written agreements that we provide our customers with warrants and representations as to the technical specifications and/or the fitness for any particular purpose. The facts and figures contained herein are carefully compiled to the best of our knowledge, but they are intended for general informational purposes only.



HUBER+SUHNER AG

RF Industrial

9100 Herisau, Switzerland

Phone +41 (0)71 353 41 11

Fax +41 (0)71 353 45 90

www.hubersuhner.com

HUBER+SUHNER – Excellence in Connectivity Solutions

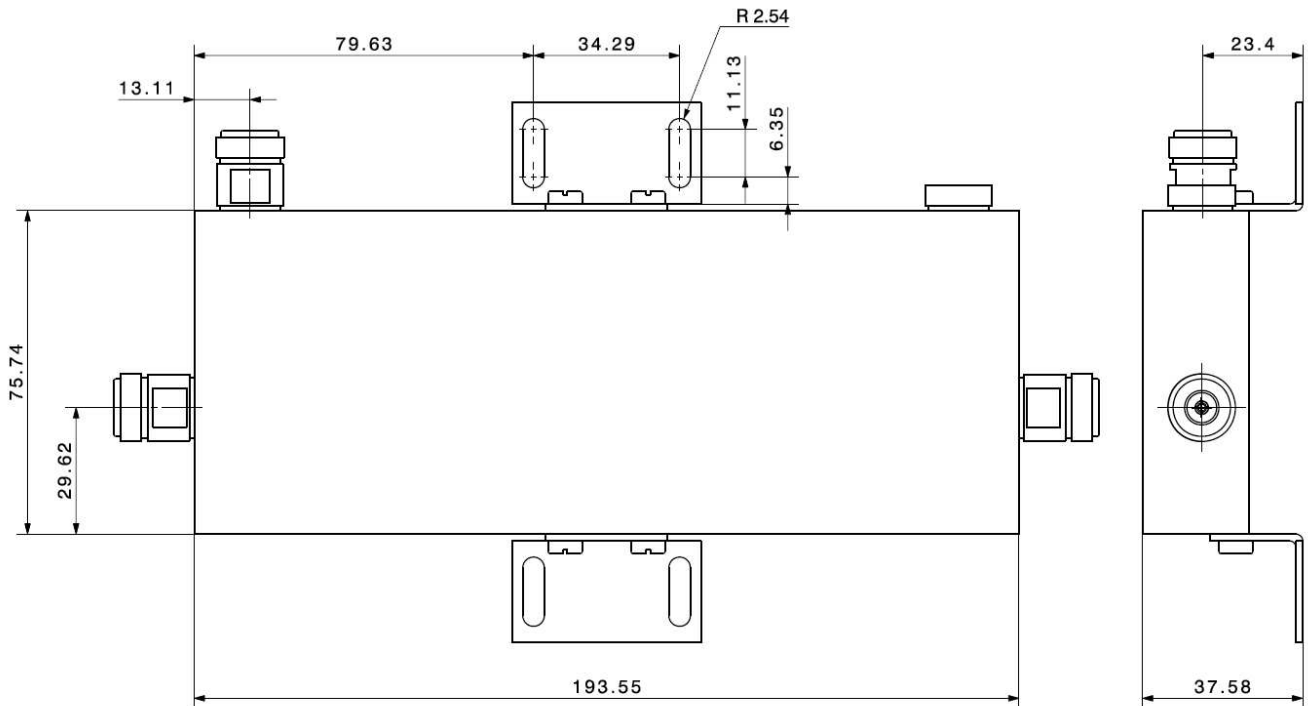
HUBER+SUHNER® DATA SHEET

Low PIM, Low Loss 10 dB Stripline Coupler, 380 - 2700 MHz

7210.17.0007



Rev.: G



HUBER+SUHNER is certified according to ISO 9001 and ISO 14001

WAIVER!

It is exclusively in written agreements that we provide our customers with warrants and representations as to the technical specifications and/or the fitness for any particular purpose. The facts and figures contained herein are carefully compiled to the best of our knowledge, but they are intended for general informational purposes only.



HUBER+SUHNER AG
RF Industrial
9100 Herisau, Switzerland
 Phone +41 (0)71 353 41 11
 Fax +41 (0)71 353 45 90
www.hubersuhner.com

HUBER+SUHNER – Excellence in Connectivity Solutions