

HUBER+SUHNER® DATA SHEET

Wideband TETRA / LMR/P25 - Cellular Diplexer:

2501.17.0092



Rev.: D

Diplexer / Duplexer

Description

Diplexer which allows combination and separation of signals in the 80 - 960 MHz and 1710 - 2700 MHz wireless bands. To minimize band inter-reaction, the inputs are well isolated and have minimal insertion loss over their respective frequency bands. Attention to mechanical design ensures low passive intermodulation.

Supports Tetra, LMR/P25, LTE, UMTS / WCDMA, CDMA, GSM, AMPS and PCS.



Product Configuration

Technical Data

Electrical Data

	Band 1	Band 2
Frequency (GHz)	0.08 - 0.96	1.71 - 2.7
Return Loss (dB)	20	20
Insertion Loss (dB)	0.3	0.5
Isolat. betw. Signal Bands (dB)		
Band1		50
Max. Composite power (W)	60	60
Peak envelope power (W)	3000	3000
Intermodulation distortion (dBc)	150	150
@ 2 x Carrier Power (dBm)	43	43
Port Designation	J1	J2
Connector Type	N	N
Gender	jack (female)	jack (female)
Char. impedance (Ω)	50	50

Common Port

Port Designation	J3
Connector	N, jack (female)

Current rating DC path J1 to J3: 2A max.

DC path J2 to J3: isolated

Mechanical Data

Dimensions (mm)	31.7 x 106.7 x 122.3 (Height x Width x Length)
Weight	0.55 kg

Environmental Data

Environmental conditions	indoor/outdoor
Operation temperature ($^{\circ}$ C)	-35 to 55

HUBER+SUHNER is certified according to ISO 9001 and ISO 14001

WAIVER!

It is exclusively in written agreements that we provide our customers with warrants and representations as to the technical specifications and/or the fitness for any particular purpose. The facts and figures contained herein are carefully compiled to the best of our knowledge, but they are intended for general informational purposes only.



HUBER+SUHNER AG
RF Industrial
9100 Herisau, Switzerland
 Phone +41 (0)71 353 41 11
 Fax +41 (0)71 353 45 90
www.hubersuhner.com

HUBER+SUHNER – Excellence in Connectivity Solutions

HUBER+SUHNER® DATA SHEET

Wideband TETRA / LMR/P25 - Cellular Diplexer:

2501.17.0092



Rev.: D

Storage temperature (°C)	-35 to 55
Transport temperature (°C)	-35 to 55
IP rating	IP 64
RoHS 2002/95/EC	compliant

Material Data

Housing Material	Aluminium , , A.00 , 0 ,
Surface treatment	passivated

Related Documents

Mounting instruction	
Painting instruction	
Security instruction	
Outline drawing1	DPR-00171963
3D-model (Step)	DOC-0000369306

HUBER+SUHNER is certified according to ISO 9001 and ISO 14001

WAIVER!

It is exclusively in written agreements that we provide our customers with warrants and representations as to the technical specifications and/or the fitness for any particular purpose. The facts and figures contained herein are carefully compiled to the best of our knowledge, but they are intended for general informational purposes only.



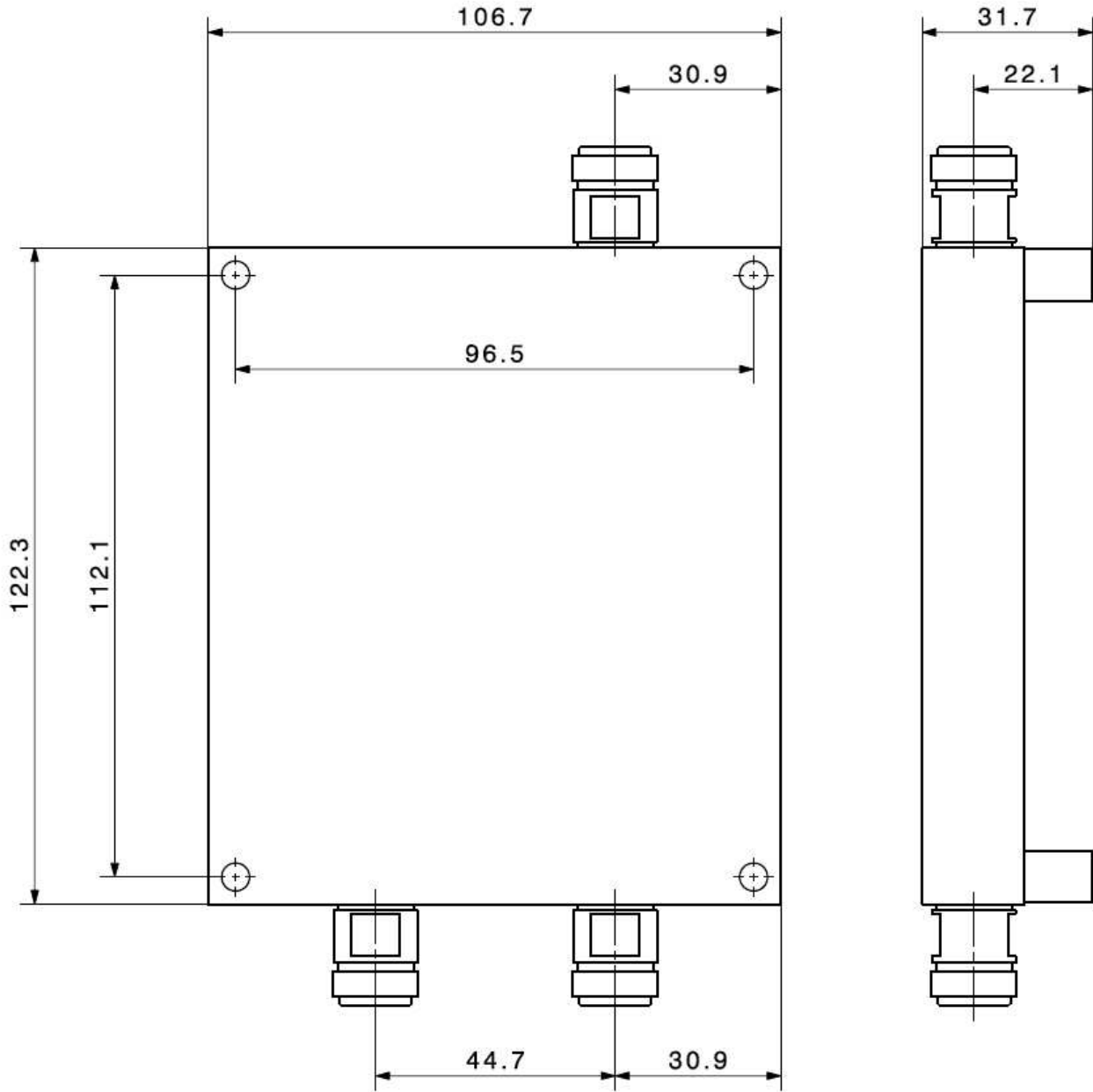
HUBER+SUHNER AG
RF Industrial
9100 Herisau, Switzerland
Phone +41 (0)71 353 41 11
Fax +41 (0)71 353 45 90
www.hubersuhner.com

HUBER+SUHNER – Excellence in Connectivity Solutions

HUBER+SUHNER® DATA SHEET
Wideband TETRA / LMR/P25 - Cellular Diplexer:
2501.17.0092



Rev.: D



HUBER+SUHNER is certified according to ISO 9001 and ISO 14001

WAIVER!

It is exclusively in written agreements that we provide our customers with warrants and representations as to the technical specifications and/or the fitness for any particular purpose. The facts and figures contained herein are carefully compiled to the best of our knowledge, but they are intended for general informational purposes only.



HUBER+SUHNER AG
RF Industrial
9100 Herisau, Switzerland
 Phone +41 (0)71 353 41 11
 Fax +41 (0)71 353 45 90
www.hubersuhner.com

HUBER+SUHNER – Excellence in Connectivity Solutions