

SENCITY® RAIL ANTENNA
FOR WIRELESS COMMUNICATION

Mounting Instruction



Keep away from catenary and high voltage lines.
Be careful when working at height!
Always secure ladders!
Always tighten screws!



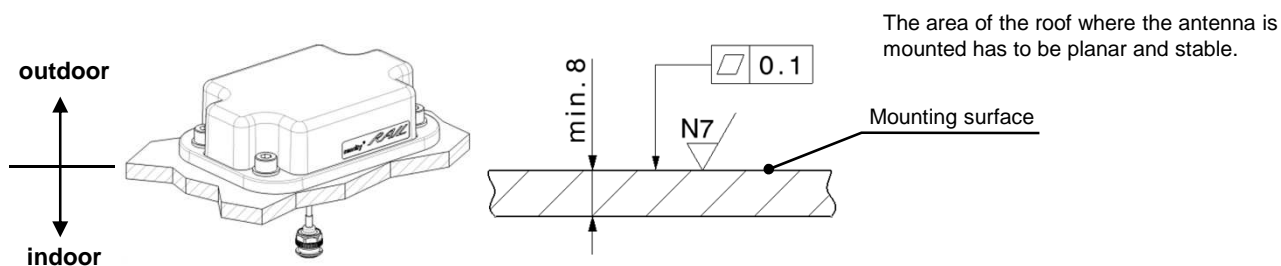
Caution! ESD (electrostatic discharge) sensitive device.
Always ground yourself while handling the GPS connector.
For more information, see the Security Instruction for this product on the Huber + Suhrer website.

Dimensions in millimetre [mm]

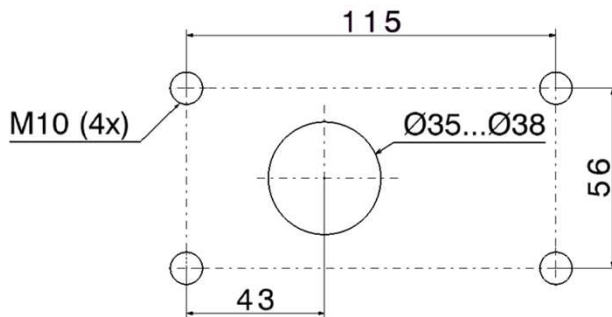


Avoid bringing the cover of the antenna into contact with acetone, gasoline or oil.

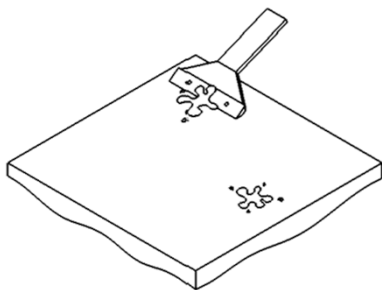
Mounting surface



Drilling of threaded hole for mounting

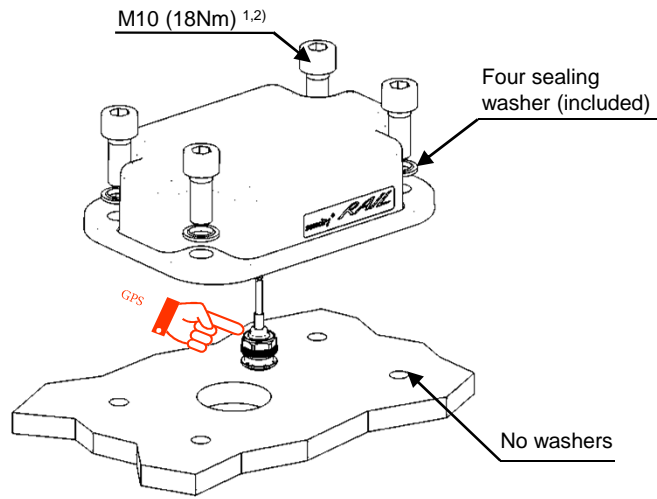


Preparation of roof



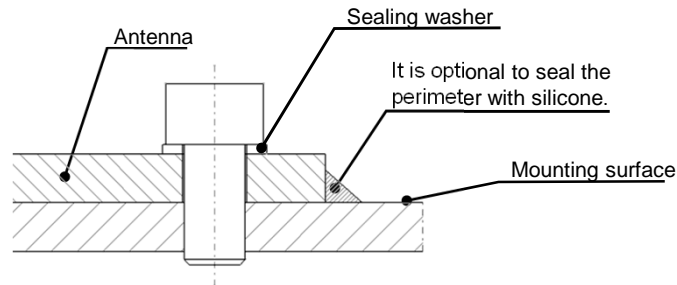
1. Clear the area where the antenna is mounted from paint, corrosion or any anodized layer.
2. Clear this area from any dust, brake dust, cutting chip, oil or fat.

Mounting

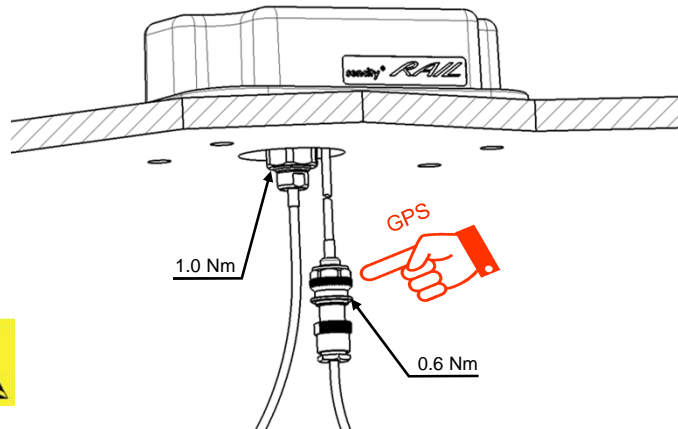


- 1) For a minimum 8 mm thick steel plate.
- 2) Use screws with a minimal length of 18mm.
Mounting screws are not included (ISO 4762).

Sealing



Connection of cables



GPS Connector:

GPS without LNA (check product datasheet): Do not apply a voltage as this antenna is DC grounded.

GPS with LNA (check product datasheet): Take ESD precautions (ground yourself).
Inner conductor: 3...5 V
Outer conductor: GND



General remarks

In the final position of the antenna, the draining hole and the connectors need to be protected against environmental impacts (indoor environment).

HUBER+SUHNER is certified according to ISO 9001 and ISO 14001

WAIVER!

It is exclusively in written agreements that we provide our customers with warrants and representations as to the technical contained specifications and/or the fitness for any particular purpose. The facts and figures herein are carefully compiled to the best of our knowledge, but they are intended for general informational purposes only.

HUBER+SUHNER – Excellence in Connectivity Solutions



HUBER+SUHNER AG
RF Technology
9100 Herisau, Switzerland
Phone +41 (0)71 353 41 11
Fax +41 (0)71 353 47 51
www.hubersuhner.com

Doc. No. 0000311051
Art. No. 84083813
Revision D