



# HUBER+SUHNER® SENCITY® ANTENNA FOR WIRELESS COMMUNICATION



## SWA 2459/360/7/20/V\_2

### Technical Data

#### Electrical Properties

Frequency range [MHz]	2400 - 2500	2500 - 2700	3400 - 3700	4900 - 5470	5470 - 5935
Impedance	50 Ω				
VSWR	1.8	2	2	1.8	1.8
Polarization	linear, vertical				
Gain (using a ø1 m ground plane)	6.0 dBi	6.0 dBi	7.0 dBi	8.0 dBi	8.0 dBi
3 dB beamwidth horizontal (without ø1 m ground plane)	360°	360°	360°	150°	170°
10 dB beamwidth horizontal	360°				
Max. power	75 W (CW) at 25°C				

#### Mechanical & Environmental Properties

Dimensions	Ø 86 x 50.6 mm (Ø 3.39" x 1.99")
Weight	0.3 kg (0.66 lbs.)
Radome material	high impact acrylic styrene acrylonitrile (HRA150)
Radome colour	RAL 7043 (dark grey)
Back/base plane material	aluminium
2002/95/EC (RoHS)	compliant
Operating temperature range	- 40°C to + 80°C
Storage temperature range	- 40°C to + 80°C
Windload	10 N at 160 km/h (100 mph)

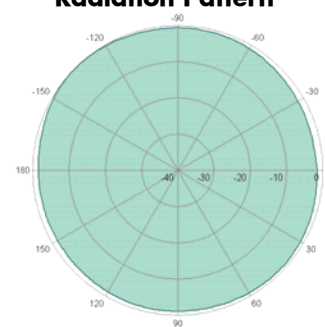
Meets the following requirements:

- Protected against the effects of continuous immersion in water IP68 (only if correctly installed).

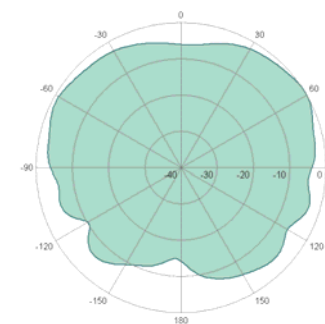
Available Types	Article no.	
1399.17.0108	84040934	N female (connector length = 45.4mm)
1399.17.0111	84043908	N female (connector length = 25.4mm)

Documents	
01.02.0777	security instruction
Doc.N°. DOC-0000254463	mounting instruction (1399.17.0108)
Doc.N°. DOC-0000256121	mounting instruction (1399.17.0111)

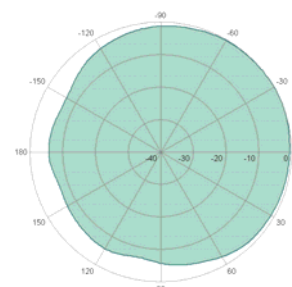
#### Radiation Pattern



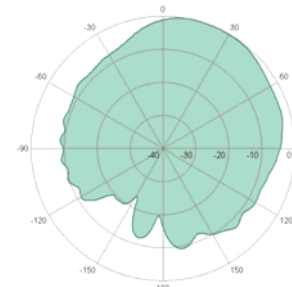
horizontal 2400 MHz



vertical 2400 MHz



horizontal 5600 MHz



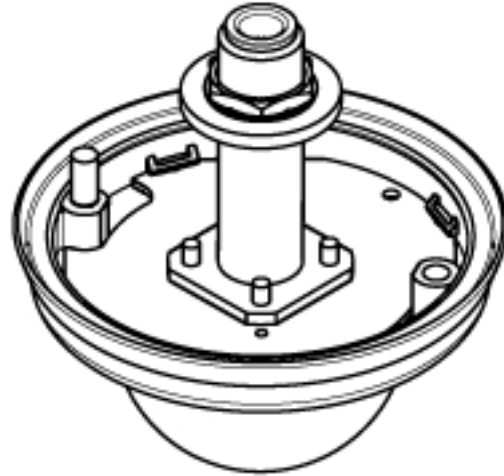
vertical 5600 MHz



# HUBER+SUHNER® SENCITY® ANTENNA FOR WIRELESS COMMUNICATION

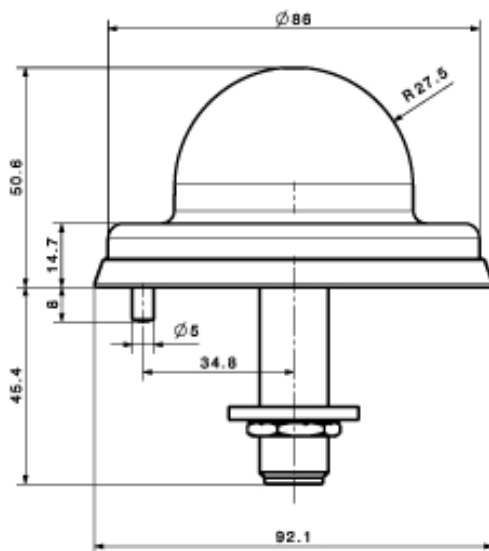
**SWA 2459/360/7/20/V\_2**

Dimensions (mm)



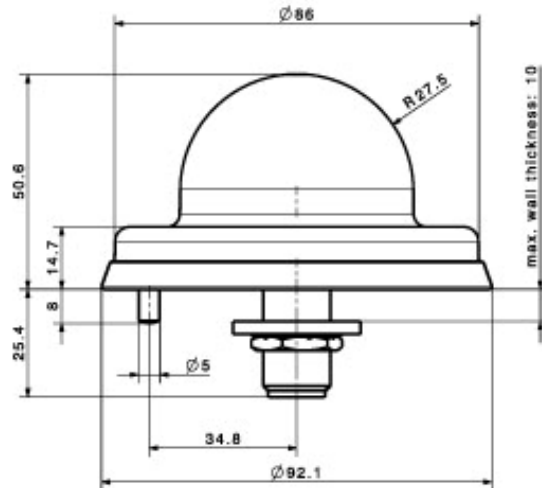
**Antenna type**

1399.17.0108



**Antenna type**

1399.17.0111



HUBER+SUHNER is certified according to ISO 9001 and ISO 14001

WAIVER!

It is exclusively in written agreements that we provide our customers with warrants and representations as to the technical contained specifications and/or the fitness for any particular purpose. The facts and figures herein are carefully compiled to the best of our knowledge, but they are intended for general informational purposes only.

**HUBER+SUHNER – Excellence in Connectivity Solutions**

Document no.: 01.02.1440

Issue no.: 8

Supersedes: 03.2009

**Uncontrolled Copy**

Issued/Checked/Released: 4417/4253/06.2007

Last amended:



**HUBER+SUHNER AG**

**RF Technology**

**9100 Herisau, Switzerland**

Phone +41 (0)71 353 41 11

Fax +41 (0)71 353 47 51

www.hubersuhner.com