



# HUBER+SUHNER® OMNI ANTENNA FOR WIRELESS COMMUNICATION

## SPA 1500/110/5/0/RCP\_RX45\_C1 with integrated lightning protector

### Technical Data

#### Electrical Properties

Frequency range	1575.42 ± 10 MHz
Impedance	50 Ω
Output VSWR	≤ 2
Patch polarization	circular, right
Patch Gain (ref. circ. pol.)	5 dBi
Gain LNA (typical)	40 dB
Gain	45 dB
3 db beamwidth horizontal	360°
3 db beamwidth vertical	110°
Power Supply	5 V <sub>DC</sub> +/-10% / < 28 mA
Noise figure (incl. filter)	< 3.5 dB
1 dB compr. point	- 30 dBm
Filter selectivity at ± 40 MHz	> 40 dB
± 60 MHz	> 60 dB
Lightning protection (DC thru)	5 kA (10/350 μs)

#### Mechanical & Environmental Properties

Dimensions	Ø 100 x 130 mm (3.94" x 5.12")
Weight	0.36 kg (0.79 lbs.)
Colour	RAL 7035 (light grey)
2002/95/EC (RoHS)	compliant
Temperature range	- 35°C to + 65°C

#### Available Types

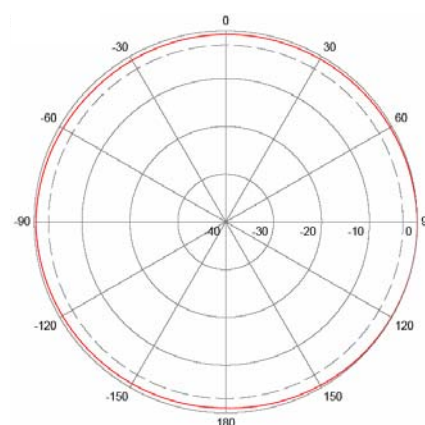
Available Types	Article no.	
1315.17.0013	84033895	N female

#### Documents

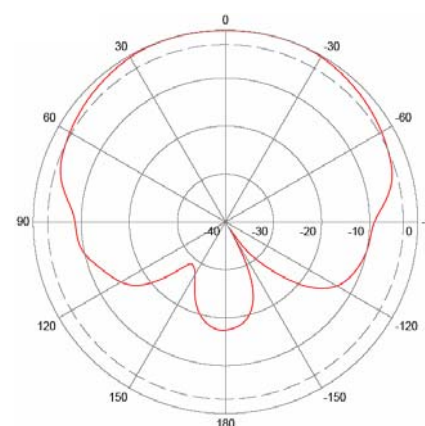
01.02.0777	security instruction
------------	----------------------



#### Radiation Pattern



horizontal



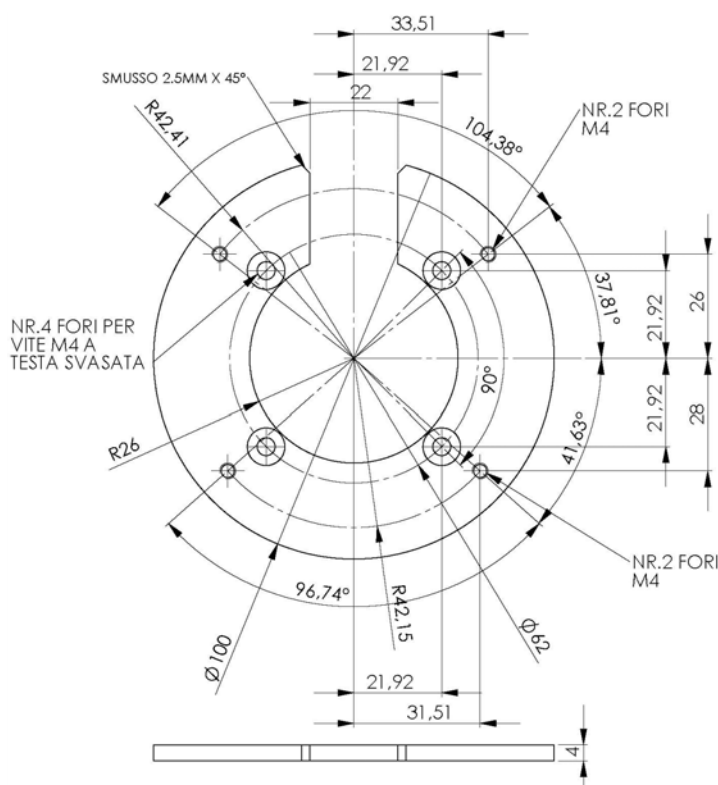
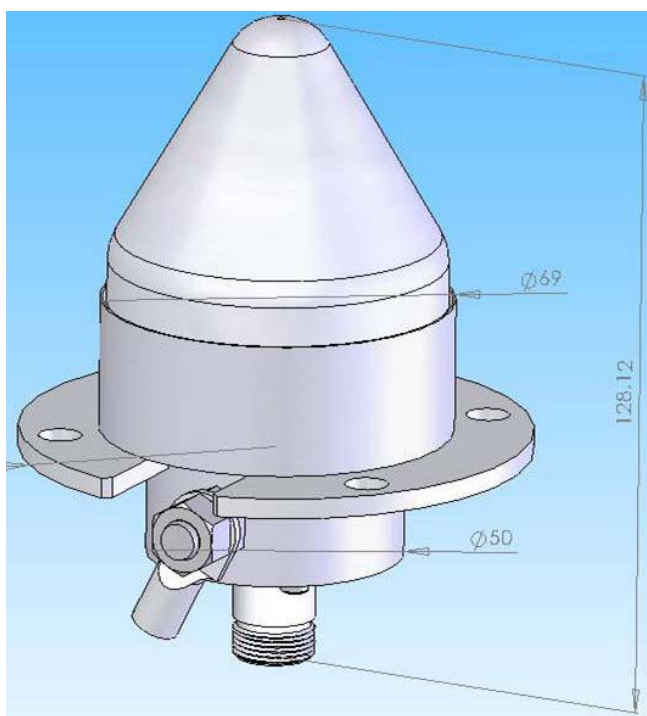
vertical



# HUBER+SUHNER® OMNI ANTENNA FOR WIRELESS COMMUNICATION

**SPA 1500/110/5/0/RCP\_RX45\_C1**

Dimensions (mm)



**HUBER+SUHNER group is certified according to ISO 9001 and ISO 14001.**

**WAIVER!**

While the information contained has been carefully compiled to the best of our present knowledge, it is not intended as representation or warranty of any kind on our part regarding the fitness of the products concerned for any particular use or purpose and neither shall any statement contained herein be construed as a recommendation to infringe any industrial property rights or as a license to use any such rights. The fitness of each product for any particular purpose must be checked beforehand with our specialists.



HUBER+SUHNER AG  
RF Technology  
RF Communication  
CH-9100 Herisau, Switzerland  
Tel.: +41 71 353 41 11  
Fax: +41 71 353 47 51  
www.hubersuhner.com

Document no.: 01.02.1405

Issue no.: 1

Supersedes:

**Uncontrolled Copy**

Issued/Checked/Released: 4417/4253/01.2007

Last amended: