



HUBER+SUHNER® OMNI ANTENNA FOR WIRELESS COMMUNICATION

SOA 2400/360/4/20/V



Technical Data

Electrical Properties

Frequency range	2400 - 2500 MHz
Impedance	50 Ω
VSWR	1.5
Polarization	linear, vertical
Gain	4.0 dBi
3 dB beamwidth horizontal	360°
3 dB beamwidth vertical	25°
Downtilt	20°
Max. power	75 W (CW) at 25°C

Mechanical & Environmental Properties

Dimensions	Ø 86 x 43 mm (Ø 3.39" x 1.69")
Weight	0.3 kg (0.66 lbs.)
Radome material	ASA
Radome colour	RAL 7035 (light grey)
Back/base plane material	aluminium
2002/95/EC (RoHS)	compliant
Operating temperature range	- 40°C to + 80°C
Storage temperature range	- 40°C to + 80°C
Windload	10 N at 160km/h (100mph)

Available Types

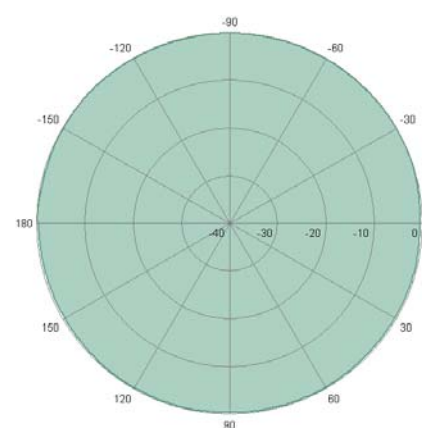
Available Types	Article no.	
1324.17.0026	23004161	N female
1324.19.0035	23009880	SMA female

Ceiling mounting material included.

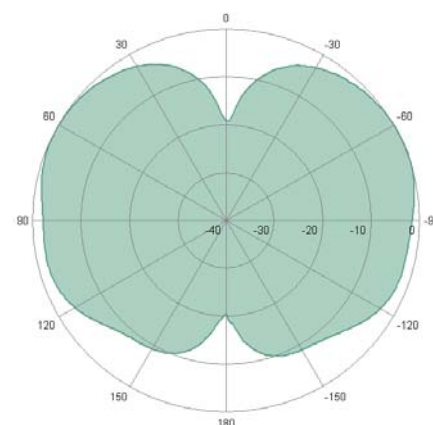
Documents

01.02.0777	security instruction
01.02.1089	mounting instruction

Radiation Pattern



horizontal



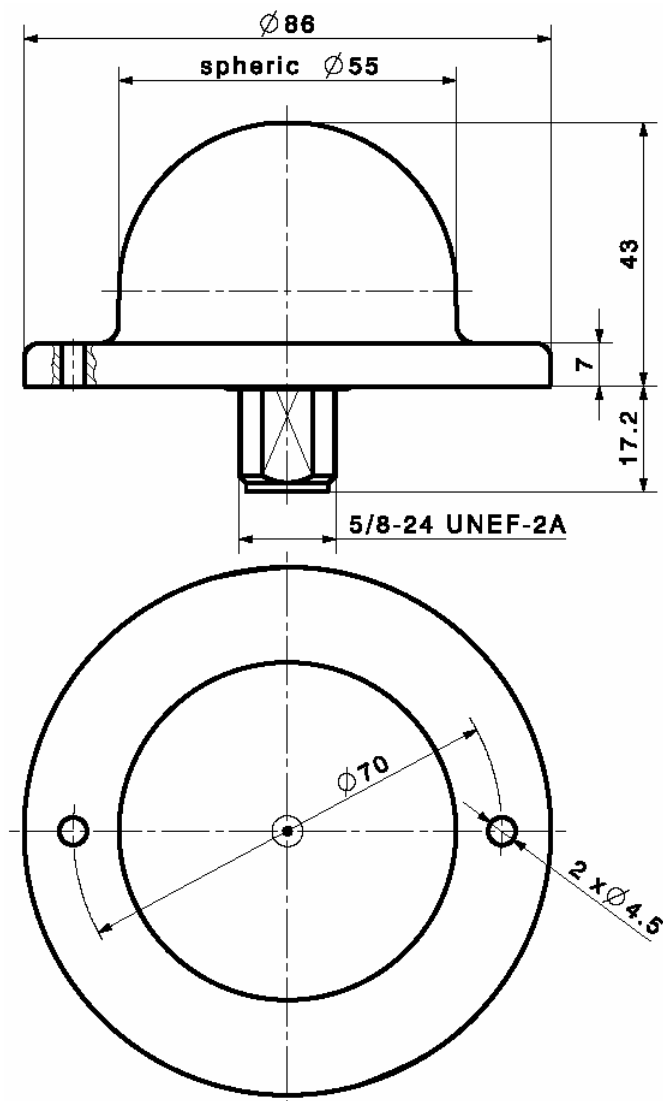
vertical



HUBER+SUHNER® OMNI ANTENNA FOR WIRELESS COMMUNICATION

SOA 2400/360/4/20/V

Dimensions (mm)



HUBER+SUHNER is certified according to ISO 9001 and ISO 14001

WAIVER!

It is exclusively in written agreements that we provide our customers with warrants and representations as to the technical contained specifications and/or the fitness for any particular purpose. The facts and figures herein are carefully compiled to the best of our knowledge, but they are intended for general informational purposes only.

HUBER+SUHNER – Excellence in Connectivity Solutions

Document no.: 01.02.0868
Issue no.: 10
Supersedes: 07.2005

Uncontrolled Copy

Issued/Checked/Released: 4159/4772/10.2002
Last amended: 4159



HUBER+SUHNER AG
RF Technology
9100 Herisau, Switzerland
Phone +41 (0)71 353 41 11
Fax +41 (0)71 353 47 51
www.hubersuhner.com